

The Quarter-Turn Supply Line provides an Angle Stop and Supply Line in one piece – complete and ready to install – for toilets and faucets.



SMALL INVENTORY COMMITMENT

Four part numbers cover all applications



HEAT FREE

*Reduces fire hazard
Utilizes push fit technology*



CLEAN

No glues, fluxes, or solder needed



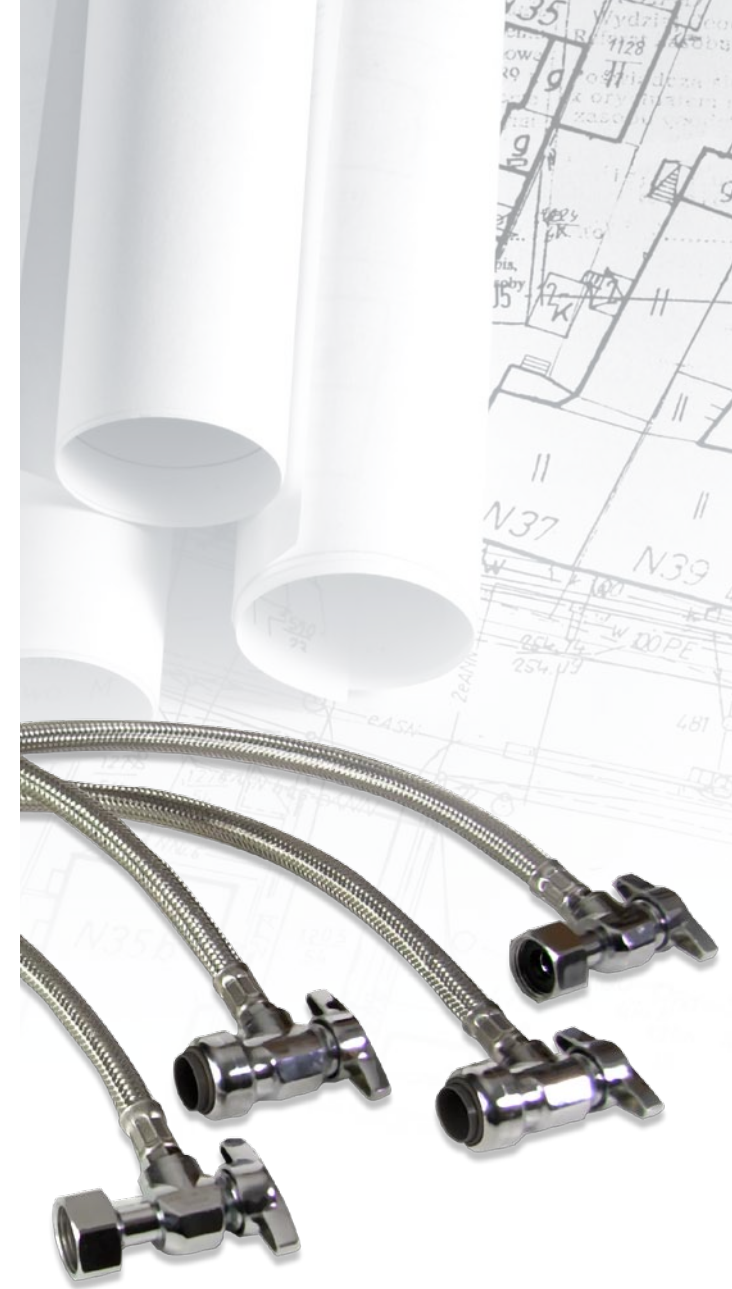
NO CONSUMABLE MATERIALS

Reduces material cost and storage



Elkhart Products Corporation
For the perfect fit

1255 Oak St. | Elkhart, Indiana 46515 | 574-264-3181



A New Twist on Angle Stops

Elkhart Products Corporation
For the perfect fit



QUARTER-TURN SUPPLY LINES FROM EPC

For Toilet and Faucet Installations



Metal Swivel/Nut

Plastic Swivel/Nut

The Integrated System Advantage

Fast

With the Quarter-Turn Supply Line from EPC, you don't need to buy an angle stop and a separate supply line. They are integrated into one piece, so there is only one part number to purchase. Installation is fast with only two connection points. The TECTITE™ push-on fittings make it even faster!

Simple

Whether you are working on a toilet or faucet, there are only two part numbers to consider. Do you need a push-on connection or an FPT connection? Once you know the answer to that question, you are on your way to a fast, flexible connection. A simple push or twist will have you connected in no time.

Flexible

The Quarter-Turn Supply Line is available for toilet and faucet installations and connects to Copper, CPVC, PEX or Threaded Pipe.

A New Twist on Angle Stops

- One-piece Angle Stop & Supply Line
- Two Connection Types – TECTITE™ & NPT
- Only Four Part Numbers
- Braided Stainless Steel Supply Line
- Conical Washer with Support Collar
- Swivel/Nut Connector
- Quarter-Turn Valve Design
- Dual Levered Handle
- No Special Tools Required
- No-Lead Design

	INLET TYPE	DESCRIPTION	PART NUMBER
Faucets	TECTITE™ Push Fit	1/2" TECTITE™ Push Fit on supply end; 1/2" Metal Swivel/Nut, 1/2-14 NPS Thread, with EPDM Cone Washer on riser end; 22" Braided Stainless supply line with PVC liner	10172999
	FPT Metal Swivel/Nut	1/2" FPT Metal Swivel/Nut on supply end (includes removable 3/8" bushing); Metal Swivel/Nut, 1/2-14 NPS Thread, with EPDM Cone Washer on riser end; 22" Braided Stainless supply line with PVC liner	10172997
Toilets	TECTITE™ Push Fit	1/2" TECTITE™ Push Fit on supply end; 7/8" Ballcock Plastic Swivel/Nut, with EPDM Cone Washer on riser end; 16" Braided Stainless supply line with PVC liner	10172995
	FPT Metal Swivel/Nut	1/2" FPT Metal Swivel/Nut on supply end (includes removable 3/8" bushing); 7/8" Ballcock Plastic Swivel/Nut, with EPDM Cone Washer on riser end; 16" Braided Stainless supply line with PVC liner	10172993

Material Compatibility

Fittings are designed to operate at temperatures from 40° to 150° F at a maximum working pressure of 125 psi with potable water. Fittings are designed for use with ASTM B88 hard drawn and annealed Copper tube, Type K, L, or M, in the 1/2" size; CPVC water tube per ASTM D2846/2846M-99 in the 1/2" size; PEX water tube per ASTM F876, F877 in the 1/2" size using a tube liner designed by EPC (provided); and Threaded Pipe in the 1/2" and 3/8" size.



0400QTSL-MA-032010